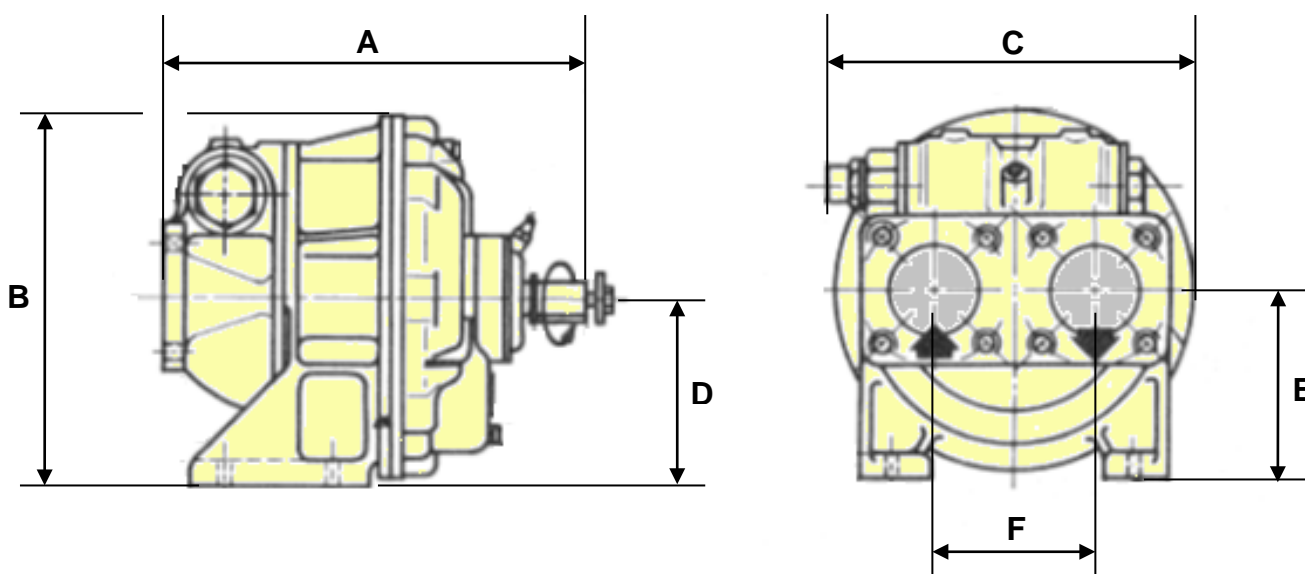




**CHARACTERISTICS**

|   |          | STANDARD               | AVAILABLE OPTIONS |
|---|----------|------------------------|-------------------|
| <b>Technology</b>                                       |          | Eccentric Disc Mouvex® |                   |
| <b>Maximum Flow rate at 1 cSt m<sup>3</sup>/h (GPM)</b> |          | 30 (132)               |                   |
| <b>Cubic capacity L (cu.in)</b>                         |          | 0.667 (40,70)          |                   |
| <b>Internal relief valve</b>                            |          | With, reversible       |                   |
| <b>Rotation</b>   |          | Reversible             |                   |
| <b>Ports</b>  |          | Flanges                |                   |
| <b>Heating</b>  |          | None                   |                   |
| Dimensions mm (in.)                                     | <b>A</b> | 320 (12,60)            |                   |
|   | <b>B</b> | 260 (10,24)            |                   |
|   | <b>C</b> | 285 (11,22)            |                   |
|   | <b>D</b> | 140 (5,51)             |                   |
|   | <b>E</b> | 140 (5,51)             |                   |
|   | <b>F</b> | 120 (4,72)             |                   |
| <b>Weight kg (lbs)</b>                                  |          | 34 (74,96)             |                   |



### OPERATING LIMITS

|   | STANDARD MATERIALS          |
|---|-----------------------------|
| Minimum temperature °C (°F)             | -10 (14)                    |
| Maximum temperature °C (°F)             | 80 (176)                    |
| Maximum viscosity cSt (SSU)             | 750 (3500)                  |
| Maximum differential pressure bar (psi) | 3,5 (72)                    |
| Maximum speed (rpm)                     | 750 (500 for SRRHU version) |
| Maximum solid particle size mm (in)     | 4 (0.16)                    |
| Maximum oft particle size mm (in)       | 6.5 (0.25)                  |

### MATERIALS OF CONSTRUCTION

| Part No  | PART NAME               | STANDARD MATERIALS     | AVAILABLE OPTIONS  |
|----------|-------------------------|------------------------|--|
| 101      | Casing                  | Cast iron              |  |
| 201      | Cylinder                | Cast iron              |  |
| 301      | Piston                  | Ductile iron           | Bronze (Solvents)  |
| 401      | Front cover             | Cast iron              |  |
| 501      | Shaft                   | Carbon steel           | Stainless Steel (Solvent)                                      |
| 103; 303 | Bushings                | Carbon                 | Bronze (SRRHU)   |
|          | Static O-rings          | FKM                    | Nitrile (SRRHU)  |
| 600      | Mechanical seal         | Carbon/stainless steel | Bronze / Stainless Steel (Solvent)<br>Tungsten carbide/Tung. C |
| 600      | Mechanical seal O-rings | FKM                    | Nitrile (SRRHU)<br>CVT (Solvent)                               |

