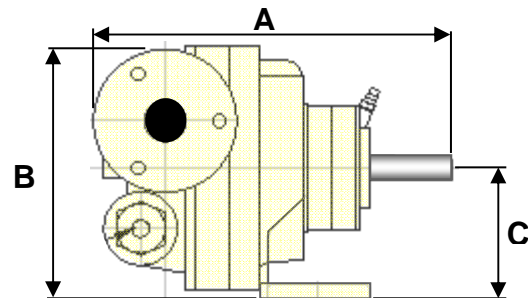
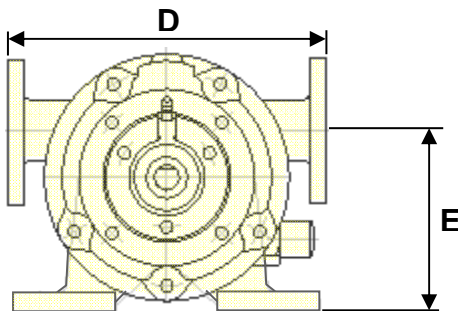


CHARACTERISTICS

| | STANDARD | AVAILABLE OPTIONS |
|---|------------------------|-------------------|
| Technology | Eccentric Disc Mouvex® | |
| Maximum Flow rate at 1 cSt m³/h (GPM) | 1.2 (5.28) | |
| Displacement L (gal) per rotation | 0.0149 (0.0039) | |
| Internal relief valve | With | Without |
| Rotation | Reversible | |
| Ports | Flanges | |
| Heating | None | |
| Dimensions mm (in.) | A 175 (6.89) | |
| | B 120 (4.72) | |
| | C 65 (2.56) | |
| | D 156 (6.14) | |
| | E 88 (3.46) | |
| Weight kg (lbs) | 5 (11.1) | |



OPERATING LIMITS

| | STANDARD MATERIALS |
|---|--------------------|
| Minimum temperature °C (°F) | -10 (14) |
| Maximum temperature °C (°F) | 150 (302) |
| Maximum in-pump dynamic viscosity cSt (SSU) | 15000 (69500) |
| Maximum differential pressure bar (psi) | 5 (72.5) |
| Maximum speed (rpm) | 1400 |

MATERIALS OF CONSTRUCTION

| Part No | PART NAME | STANDARD MATERIALS | AVAILABLE OPTIONS |
|---------|-----------------|----------------------------|----------------------------|
| 101 | Main Body | Cast iron | |
| 201 | Cylinder | Cast iron | |
| 301 | Disc | Ductile iron | |
| 401 | Front cover | Cast iron | |
| 501 | Shaft | Carbon steel | |
| | Bushings | Carbon | Bronze |
| | Static O-rings | FKM | EPDM |
| | Mechanical seal | Carbon/stainless steel/FKM | Bronze/stainless steel/FKM |

