

SANITARY MIXERS - BNS SERIES

Assembly Instructions and Parts List

ATTENTION: FOR PROPER INSTALLATION AND OPERATION OF YOUR NEPTUNE MIXER, READ THESE INSTRUCTIONS BEFORE USING.

Description

The Sanitary Mixers - BNS Series are designed for economical mixing of small tanks in sanitary markets. The mixer can be easily mounted for optimum mixing. The mixer can be conveniently moved from one container to another.

**Unpacking**

When unpacking the mixer, check carefully for damage that may have occurred during transit. Check for missing parts.

General Safety Information

Warning: These mixers are intended for specific functions. Please follow all instructions for safe and proper use.

- (1) Be certain that all mounting hardware and the coupling and propeller set screws are properly tightened prior to operation.
- (2) Attach flange securely. Be certain propeller is not touching side or bottom of tank.
- (3) BNS Series Mixers are intended for use on drums or small tanks 100 gallons or less. Only the mildest of mixing can be accomplished in larger tanks.
- (4) Perform electrical connections and wiring in accordance with the electrical area requirements and local electrical codes.
- (5) Do not attempt to adjust mixer when mixer is operating, this could result in personal injury or damage to the tank and mixer.
- (6) Always wear required safety equipment including eye protection when observing mixer performance or when adding materials to a tank while the mixer is operating.



PSG
22069 Van Buren Street
Grand Terrace, CA 92313 USA
P: +1 (909) 422-1700
www.psgdover.com/neptune

Copyright 2021 PSG®, a Dover Company

a **DOVER** companypsgdover.com

The Sanitary BNS Series Mixer is mostly pre-assembled. Attaching the shaft and propeller to the mixer, attaching the flange is all that is required before operation.

Assembly and Mounting

- (1) Remove one of the window screens (3) by unscrewing the screws (4).
- (2) Insert end of shaft (11) with flat into coupling going slowly so that the seal (8) is not damaged and that the seal flap stays down.
- (3) Tighten set screws (1).
- (4) Replace the window screen.
- (5) Mount the mixer with the flange on a corresponding flange using hardware appropriate for the flange size. Use as gasket that is made from FDA certified material that is cut smoothly and flush with the inside diameter of the flange.
- (6) Recheck all hardware for proper tightening.

Operation

- (1) Check that all hardware is secured.
- (2) Check that the electrical wiring to the motor is connected correctly.
- (3) Check that the mixing propeller is fully immersed and that it does not touch the sides of the tank or drum.
- (4) Turn on the mixer and run it until the desired mixing is completed.

Cleaning and Maintenance

At the end of each mixing period:

- (1) Turn off the mixer before draining the tank.
- (2) Clean the topside of the mixer and remove any debris.
- (3) Check the seal for wear and replace if necessary.



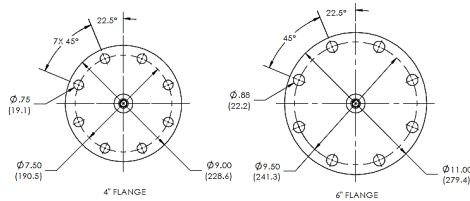
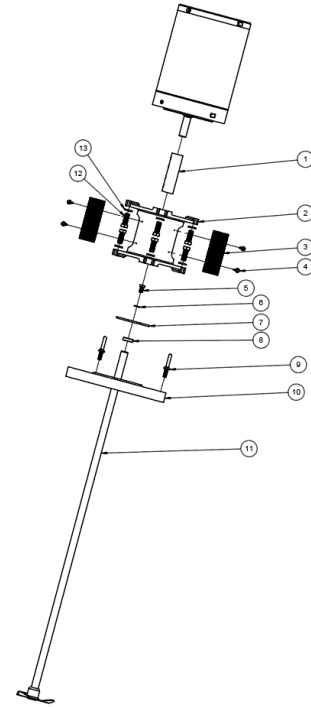
PSG
22069 Van Buren Street
Grand Terrace, CA 92313 USA
P: +1 (909) 422-1700
www.psgdover.com/neptune

Copyright 2021 PSG®, a Dover Company



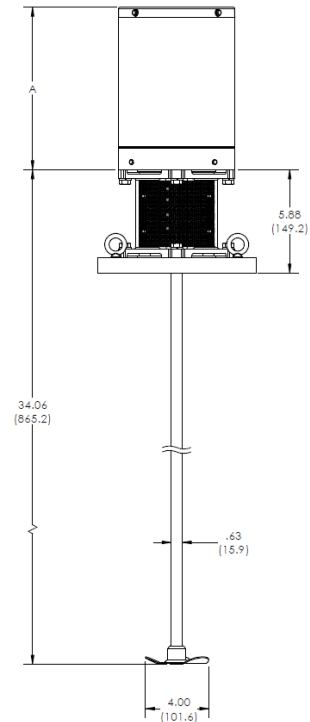
Item	Part No.	Qty.	Description
1	002520	1	MIXER COUPLING W/ SET SCREW, 5/8" X 5/8" SS
2	131877	1	LIP SEAL SPACER CF8MSS
3	131898	2	WINDOW SCREEN 316SS
4	131896	8	HEX HEAD CUTTING SCREW, 8-32 X 3/8" 410SS
5	100094	2	HEX HEAD SCREW, 1/4"-20 X 7/8" 304SS
6	100075	2	1/4" LOCK WASHER 18-8SS
7	131901	1	LIP SEAL COVER, 5/8" 316SS
8	131897	1	LIP SEAL, 5/8" FDA
9	131894	3	EYEBOLT, 1/4"-20 X 1" 18-8SS
10	131899	1	MIXER FLANGE, 4" 316SS
	131900	1	MIXER FLANGE, 6" 316SS
11	131902	1	WELDED PROPELLER/SHAFT 5/8" X 32" 316SS
12	105597	8	HEX HEAD SCREW, 3/8"-16 X 1" 316SS
13	107175	8	3/8" LOCK WASHER 18-8SS

LN0001_C



Model Number	Standard Motor Description	Flange Size	Dimensions Inches (mm)
			A
BNS-2.1.4	1/3 HP-1 PH-115/230 Stainless Steel	4"	9.64 (244.9)
BNS-2.1.6	1/3 HP-1 PH-115/230 Stainless Steel	6"	9.64 (244.9)
BNS-2.2.4	1/3 HP-3 PH-230/460 Stainless Steel	4"	7.72 (196.1)
BNS-2.2.6	1/3 HP-3 PH-230/460 Stainless Steel	6"	7.72 (196.1)
BNS-3.1.4	1/2 HP-1 PH-115/230 Stainless Steel	4"	10.64 (270.3)
BNS-3.1.6	1/2 HP-1 PH-115/230 Stainless Steel	6"	10.64 (270.3)
BNS-3.2.4	1/2 HP-3 PH-230/460 Stainless Steel	4"	9.16 (232.7)
BNS-3.2.6	1/2 HP-3 PH-230/460 Stainless Steel	6"	9.16 (232.7)

LN0002_A



PSG
 22069 Van Buren Street
 Grand Terrace, CA 92313 USA
 P: +1 (909) 422-1700
www.psgdover.com/neptune

Copyright 2021 PSG®, a Dover Company



a DOVER company

psgdover.com

ISSUE DATE: August 18, 2021

CERTIFICATE AUTHORIZATION NUMBER: 3832



THIS IS TO CERTIFY THAT

PSG California LLC

22069 Van Buren Street, Grand Terrace, CA 92313-5651

is hereby authorized to continue to apply the
3-A Symbol to the models of equipment, conforming to 3-A Sanitary Standards for:

Number 73-01
73-01 (Shear Mixers, Mixers, and Agitators)

set forth below

CIP Models:

BNS-2.1.4
BNS-2.1.6
BNS-2.2.4
BNS-2.2.6
BNS-3.1.4
BNS-3.1.6
BNS-3.2.4
BNS-3.2.6

VALID THROUGH: **December 31, 2021**

Timothy R. Rugh
Executive Director
3-A Sanitary Standards, Inc.

The issuance of this authorization for the use of the 3-A Symbol is based upon the voluntary certification, by the applicant for it, that the equipment listed above complies fully with the 3-A Sanitary Standard(s) designated. Legal responsibility for compliance is solely that of the holder of this Certificate of Authorization, and 3-A Sanitary Standards, Inc. does not warrant that the holder of an authorization at all times complies with the provisions of the said 3-A Sanitary Standards. This in no way affects the responsibility of 3-A Sanitary Standards, Inc. to take appropriate action in such cases in which evidence of nonconformance has been established.

NEXT TPV INSPECTION/REPORT DUE: **August 2026**

PSG
22069 Van Buren Street
Grand Terrace, CA 92313 USA
P: +1 (909) 422-1700
www.psgdover.com/neptune

Copyright 2021 PSG®, a Dover Company

a **DOVER** companypsgdover.com