



## Micro C Series Hygienic Eccentric Disc Pump

### Seal-less Design

The Unique seal-less design features a Stainless Steel bellows which ensures durability, safety and product containment. The Micro C Series provides very high suction and discharge pressures which allows it to self prime and fully strip lines, maximizing product recovery.

### Run Dry Capability

The Micro C can run dry for up to 5 minutes, and the self-compensating eccentric disc principle provides consistent flow rates over a long period of time. The flow rate is extremely accurate even at low speeds.

### Dependable

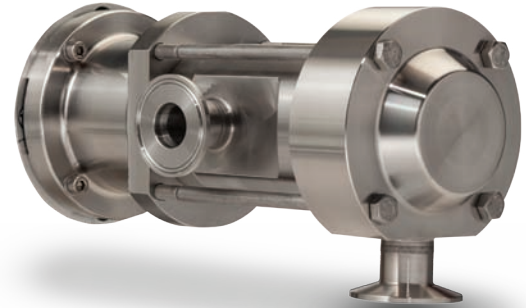
There are fewer moving parts, which results in reduced maintenance and downtime.

### Advantages:

- Eccentric Disc design allows for consistent flow and improved energy savings
- Extremely gentle, pulse-free flow to protect shear-sensitive products
- Reduced maintenance with no mechanical seals or timing gears
- Easy to install
- Clean in place (CIP) and Sterilize in place (SIP) for the ultimate in convenience and cleanliness

### Options:

- DIN 11851: DN20 / 3/4"
- BSP/NPT: DN15 / 1/2"
- SMS: DN25 / 1"
- DIN 32676 Clamp: DN20 / 3/4"
- ISO Clamp: DN25 / 1"
- ASME - BPE Clamp: DN25 / 1"
- Mobile-mounted





# Micro C Series Hygienic Eccentric Disc Pump



## Operation:

- **Principle:** Eccentric Disc, positive displacement
- **Installation:** Can be base mounted or cart mounted for mobility

## Construction:

- All Stainless Steel construction
- Shaft sealed by Stainless Steel bellows
- Ra 0.8 µm (32 µ inch) wetted surfaces

## Features & Benefits:

- Seal-less design eliminates leakage
- Ability to strip and drain transfer piping/tubing
- Line-stripping capabilities
- Self-priming
- Strong Suction and Discharge Pressure
- Shear-sensitive handling
- Consistent flow rate independent of pressure
- Low linear speed
- Precise dosing
- Accurate volume metering with high turn down
- Dry-run capable
- Maintains performance over time
- Effective with both high- and low-viscosity fluids
- Full drainability
- Clean-In-Place (CIP)/Sanitize-In-Place (SIP)
- Easy integration

## Applications:

### Dairy products

- Injection fermenting agents, flavorings, additives, liquid sugar

### Beverage ,wines, beers

- Injection alcohol, flavorings, colorings, fermenting agent, liquid sugar, glucose, syrups

### Cakes and baked goods

- Injection additives, spices, brine,
- Coating potato chips
- Chocolate filled cakes

### Confectionery

- Injection colorings, alcohol, liquid chocolate, liquor, liquid sugar
- Chocolate coating
- Chocolate filled cakes

### Convenience food & canned food

- Dosing sauces, spices, mustard, cream ketchup, mayonnaise, flavoring agents,

### Animals food & pets foods

- Dosing enzymes, medicine, favorings

### Cereals

- Dosing additives, colorings, flavorings

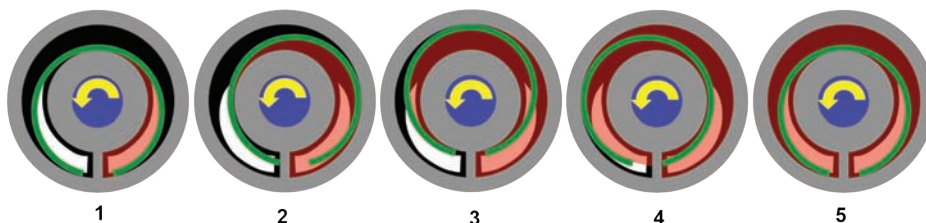
### Cosmetics

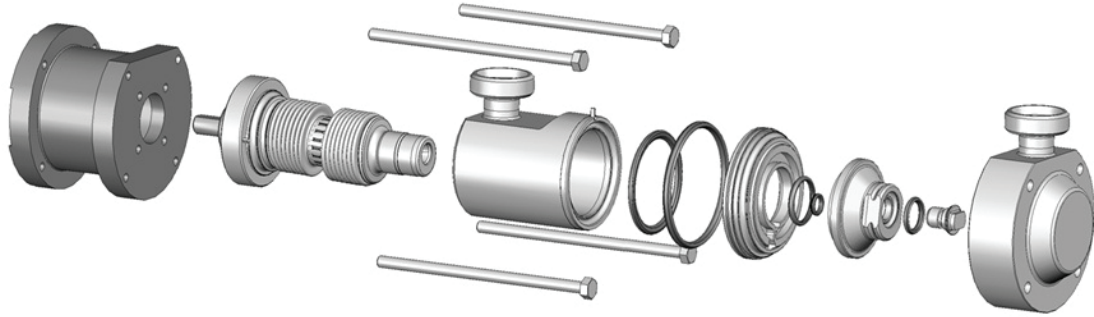
- Dosing cream, pomade, syrups, liquid pharmaceutical products, lotions, gels, oils, milks

## Mouvex Technology

Eccentric disc pumps consist of a cylinder and pumping element mounted on an eccentric shaft. As the eccentric shaft is rotated, the pumping element forms chambers within the cylinder, which increase in size at the intake port, drawing fluid into the pumping chamber. The fluid is transported to the discharge port where the pumping chamber size is decreased. This action squeezes the fluid out into the discharge piping.

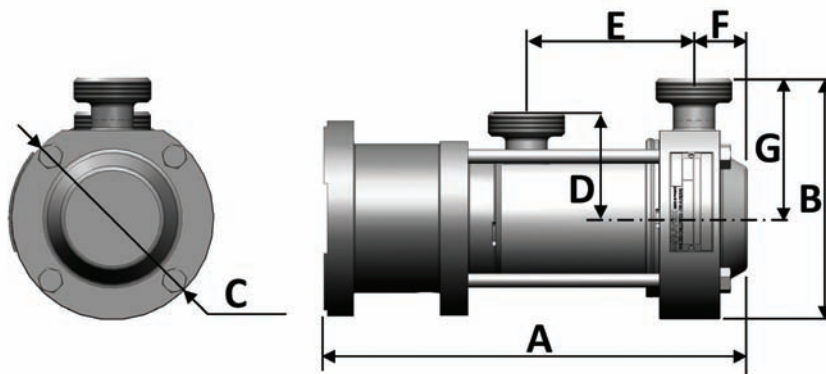
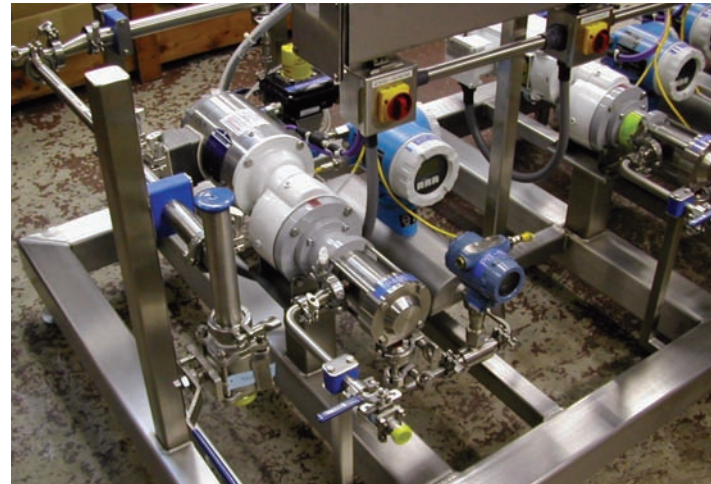
## Mouvex Principle





## Performance Data

Model	Max. Speed	Max. Flow Rate	Max. Diff. Pressure
Micro C 125	1000 rpm	125 l/h	15 bar
		0.55 GPM	217 psi
Micro C 250	1000 rpm	250 l/h	10 bar
		1.1 GPM	145 psi
Micro C 500	1000 rpm	500 l/h	5 bar
		2.2 GPM	72 psi
Micro C 800	1000 rpm	800 l/h	3 bar
		3.52 GPM	43 psi



## Dimensions\*

		MC125	MC250	MC500	MC800
A	mm (in.)		242.5 (9.55)		
B	mm (in.)		138 (5.43)		
C	mm (in.)		116 (4.57)		
D	mm (in.)		61 (2.39)		
E	mm (in.)		96 (3.78)		
F	mm (in.)		30.5 (1.20)		
G	mm (in.)		80 (3.15)		
Weight	kg (lbs.)		8 (17.7)		

\* With DIN 11851 Connections

## Where Innovation Flows



ZI la Plaine des Isles • 2 rue des Caillottes  
F-89000 AUXERRE - FRANCE  
T: + 33.3.86.49.86.30  
F: + 33.3.86.46.42.10  
contact@mouvex.com  
[mouvex.com](http://mouvex.com)

Authorized PSG Partner: