



B200 Flow Control Screw Compressor

For Liquids to 180m³/h



Mouvex® B200 Flow Control Screw Compressor

Flow Control
Check and
Relief Valve

B 200-10L:	1000 rpm
B 200-12R:	1200 rpm
Dimensions:	L 402 x H 218 x 129 mm
Weight:	26.5 kg
Gravity Torque:	Under 50 Nm



The rugged B200 Flow Control is discharge optimized for the toughest applications. Available in a wide range of drive systems for maximum compatibility. This versatile Screw Compressor performs like no other, both clockwise and counterclockwise.

The Solution for Direct Mounting



PF Option – PTO Flange

Splined shaft for direct flange mounting on PTO



PS Option – PTO Shaft

Straight keyed shaft for electric motor drive



HY Option – Hydraulic

Female spline shaft for hydraulic motor drive



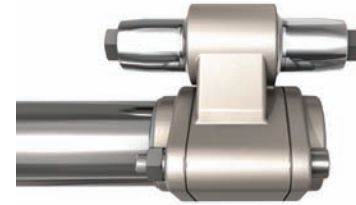
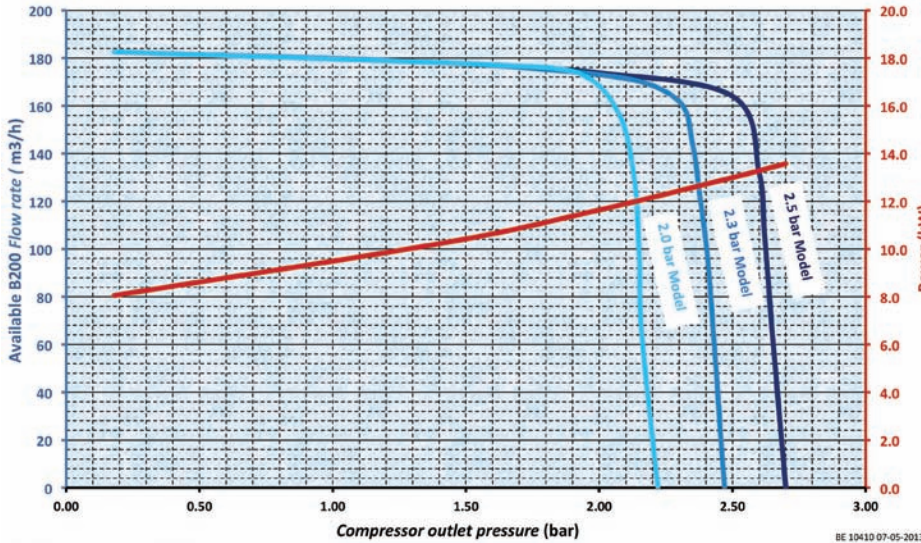
B200 Flow Control Screw Compressor

For Liquids to 180m³/h

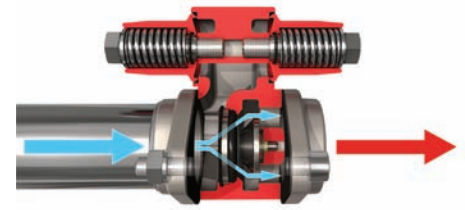
Flow (m³/hr)/Power (kW)

B200 Flow Control : Flow rate and Power

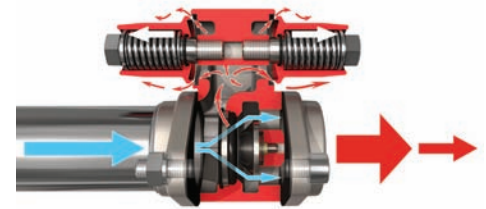
Compressor suction 1 atm 20°C
Flow measurement : ISO 5162-2



Flow Control Check and Relief Valve



Full Flow Rate



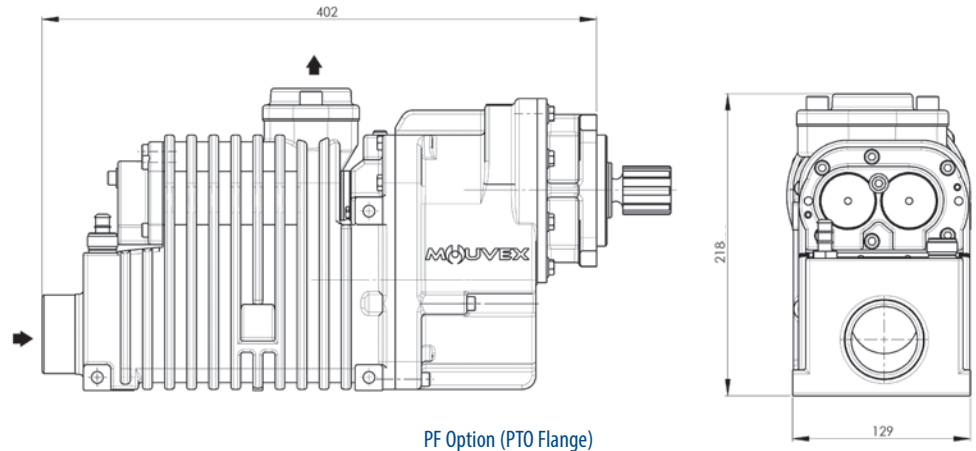
Regulated Flow Rate

B200 Premium Screw Compressor Technology

- Corrosion Free
- Oil & Particulate Free
- Discharge Optimized
- No friction = long life
- 3-year warranty

Torque/Pressure (Nm)

Version	Pressure (bar)		
	1.5	2.0	2.5
12R	100	111	124
10L	83	93	103



PF Option (PTO Flange)

Mouvex reserves the right to modify the information and illustrations contained in this document without prior notice. This is a not-contractual document.



ZI la Plaine des Isles • 2 rue des Caillottes
F-89000 AUXERRE - FRANCE
Tel: + 33.3.86.49.86.30 • Fax: + 33.3.86.46.42.10
contact@mouvex.com
mouvex.com

© 2017 MOUVEX



Authorized PSG® Partner:

MX-11001-T-02