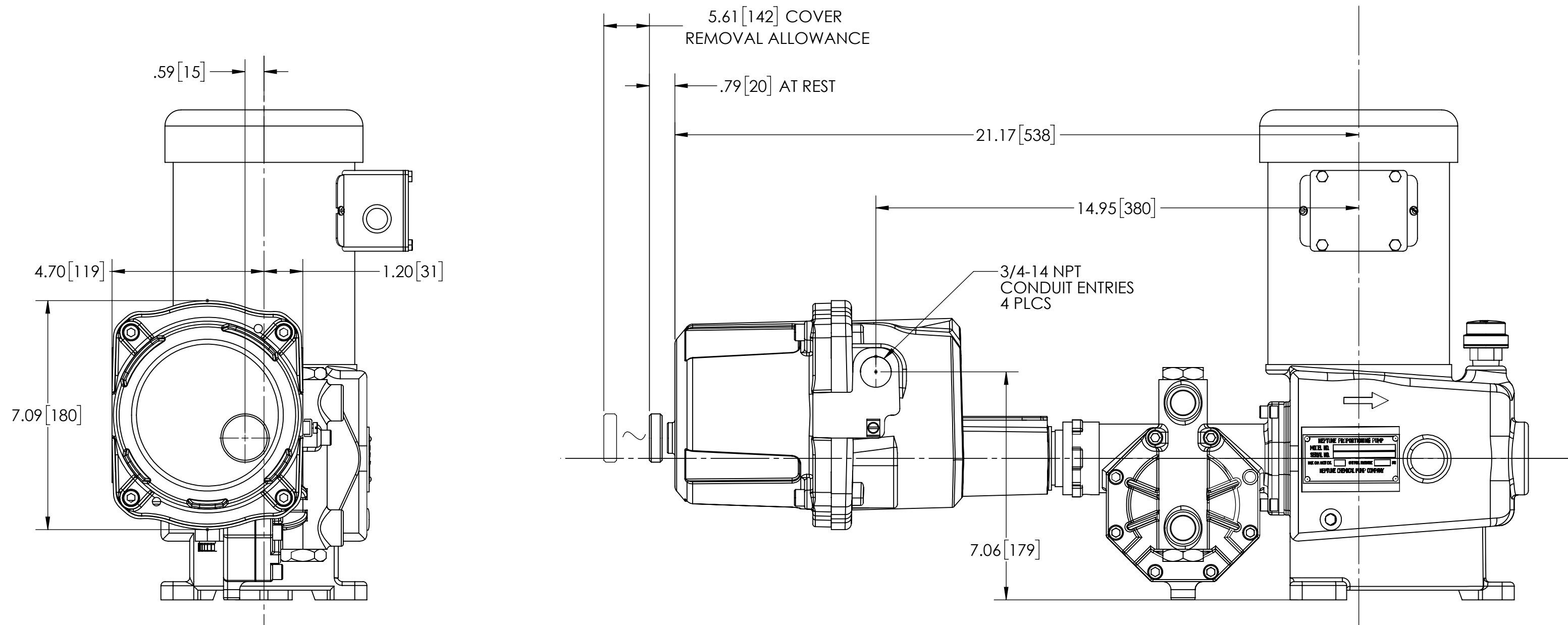




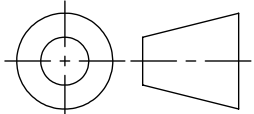
REV	DESCRIPTION
A	REFERENCE DRAWING

NOTES: UNLESS OTHERWISE SPECIFIED

1. DIMENSIONS AND TOLERANCES PER ASME Y14.5M-1994.
2. * INDICATES DIMENSIONS AND/OR FEATURES MODIFIED ON CURRENT REV LEVEL.
3. INDICATES CRITICAL FEATURE.



NEPTUNE 500 SERIES DIAPHRAGM PUMP WITH ADVANCED CONTROLLER

THIS DOCUMENT CONTAINS PROPRIETARY INFORMATION OF PSG - A DOVER COMPANY. ITS RECEIPT AND POSSESSION DO NOT CONVEY ANY RIGHTS TO REPRODUCE OR DISCLOSE ITS CONTENTS OR TO MANUFACTURE USE OR SELL ANYTHING IT MAY DESCRIBE. THIS DOCUMENT IS SUBJECT TO RETURN UPON REQUEST. REPRODUCTION, DISCLOSURE OR USE OF THIS DOCUMENT WITHOUT THE WRITTEN AUTHORIZATION OF DOVER CORPORATION IS STRICTLY FORBIDDEN.	DO NOT SCALE DRAWING UNLESS OTHERWISE SPECIFIED DIMENSIONS ARE IN INCHES TOLERANCES ARE:		  NEPTUNE 22069 VAN BUREN STREET GRAND TERRACE, CA 92313 USA 215 699-8700 WWW.NEPTUNE1.COM
	DECIMALS .XX ± .01 .XXX ± .005		
THIRD ANGLE PROJECTION	ANGLES ± 1/2°		TITLE NEPTUNE 500 SERIES DIAPHRAGM PUMP WITH ADVANCED CONTROLLER
	DRAWN BY DATE	APPROVED BY DATE	SIZE C DRAWING NO. N/A SCALE 1:4
			SHEET 1 OF 1 REV. A