

500-VS Series

HIGH VISCOSITY HYDRAULIC METERING PUMPS



Where Innovation Flows



Neptune™ 500-VS Series High Viscosity Hydraulic Metering Pumps are designed to accurately meter viscous fluids up to 5,000 cP such as polymers and other thick liquids.

Variable Oil By-pass™ stroke adjustment allows an adjustable time delay between the end of the suction stroke and the beginning of the discharge stroke. This delay permits the ball to seat fully before pumping resumes, even in the heaviest liquids, so that pumping accuracy remains high.

FEATURES AND BENEFITS

- Handles viscous fluids of up to 5,000 cP
- Max capacity up to 29 gph (110 L/h)
- Max pressure up to 100 psi (8 bar)
- Materials of construction: 316SS with SS trim
- Multiple diaphragms: Standard flat and PTFE
 - PTFE withstands most chemicals
- Large internal porting with a large, single ball, suction check valve

OPTIONS

- Capacity control options include electric stroke length adjustment and variable speed drives

500-VS Series High Viscosity Metering Pumps SELECTION CHART



Model 532-VS-N3

Standard Motor: 1/3 HP-single phase-115VAC-60 cycles-TEFC
Simplex Models (Duplex Available)

MODEL NUMBER	PISTON DIAMETER INCHES (MM)	STROKES PER MINUTE AT 60 HZ (50 HZ)	MATERIAL OF CONSTRUCTION	CAPACITY GPH (L/H) AT 100 PSI	MAX. PRESSURE PSI (BAR)	SHIPPING WEIGHT LB. (KG)
515-VS-N3	1/2 (13)	117 (97)	316SS	3.0 (11.3)	900 (63)	70 (32)
520-VS-N3	11/16 (18)	37 (31)	316SS	2.0 (7.5)	400 (28)	70 (32)
522-VS-N3	11/16 (18)	72 (60)	316SS	4.0 (15.1)	500 (35)	70 (32)
525-VS-N3	11/16 (18)	117 (97)	316SS	7.0 (26.5)	700 (49)	70 (32)
530-VS-N3	1-1/16 (27)	37 (31)	316SS	5.5 (20.8)	300 (21)	70 (32)
532-VS-N3	1-1/16 (27)	72 (60)	316SS	11.0 (41.6)	300 (21)	70 (32)
535-VS-N3	1-1/16 (27)	117 (97)	316SS	18.0 (68.0)	300 (21)	70 (32)
537-VS-N3	1-1/16 (27)	144 (120)	316SS	22.0 (83.0)	300 (21)	70 (32)
547-VS-N3	1-3/16 (30)	144 (120)	316SS	29.0 (110.0)	200 (14)*	70 (32)

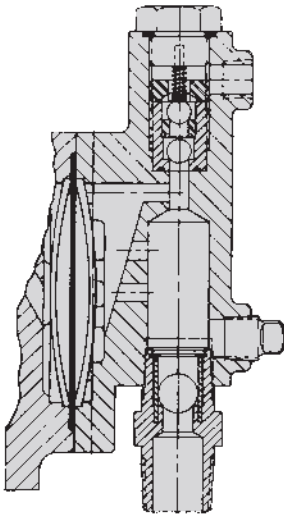
*300 PSI (21 BAR) at 1/2 HP

MATERIALS OF CONSTRUCTION

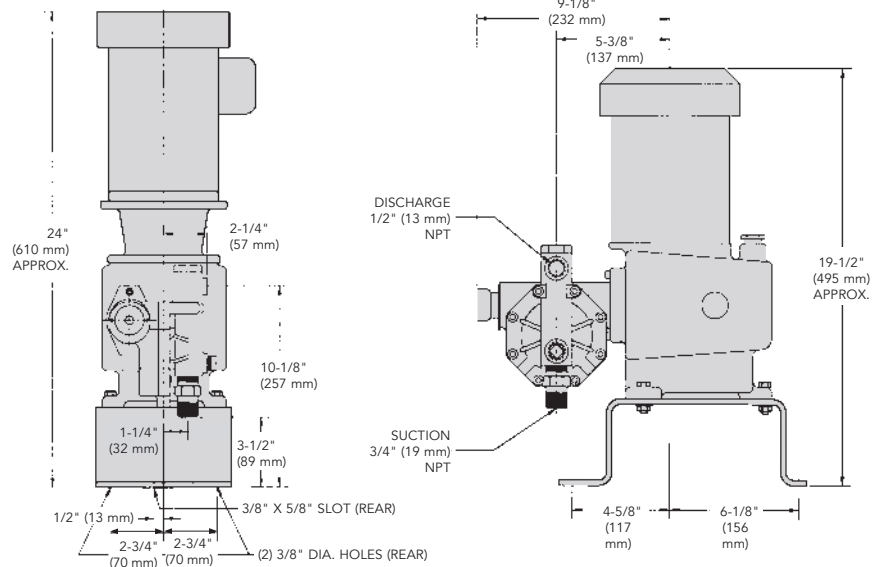
MATERIAL CODE	PUMP HEAD	CHECK VALVE BODY	CHECK VALVE BALL	VALVE O-RING	DIAPHRAGM
N3	316SS	316SS	316SS	FKM	PTFE

For more information on Neptune Series 500 Pumps and Control Options request Bulletins DP-1100 and DP-500E
For Higher Viscosity and Higher Volume Applications request Bulletin DP-7000

CROSS SECTIONAL VIEW



DIMENSIONS



VP-19
NPT-10120-F-01

Where Innovation Flows



Authorized PSG® Partner:

Copyright 2019 PSG®, a Dover company



PSG
22069 Van Buren Street
Grand Terrace, CA 92313-5651 USA
P: +1 (909) 422-1700 • F: +1 (909) 783-3440
psgdoover.com/neptune